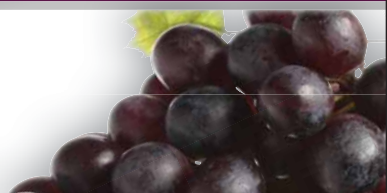


COOLING SYSTEMS

THROUGH-THE-WALL SYSTEM



Preserve your collection of fine wine with a finer cooling system.

Introducing the new Through-the-Wall (TTW) Wine Cooling System from Wine Guardian®, the renowned leader in wine preservation. The system is available in two capacities, each with a sleek, modern design to match the unique style of today's wine cellar. Perfect for small to mid-sized cellars, this innovative system offers exceptional airflow and maintains optimal temperature and humidity with the quietest operation in its class.



Quality, sophistication, and a host of other standard features unique to Wine Guardian®

- Commercial-grade, corrosion-resistant components and an all-aluminum frame for long-term durability
- The only TTW system that controls temperature and displays both temperature and humidity
- Engineered for ideal airflow, including adjustable louvers for optimal cellar air circulation
- Quiet and efficient operation
- Can be mounted flush with the wall or racking
- EasyMount™ one-piece wall bracket and support frame included
- Certified to Underwriters Laboratories standards

Wine Guardian TTW series can directly replace most through-the-wall models. Ask your distributor for complete details.



AIR INNOVATIONS Wine Guardian® is a registered trademark of Air Innovations®

Options



- Remote monitoring and sensing, alarm and communication capabilities



- Hot air discharge duct adapter kit
- Freestanding humidifier

COOLING SYSTEMS

THROUGH-THE-WALL SYSTEM



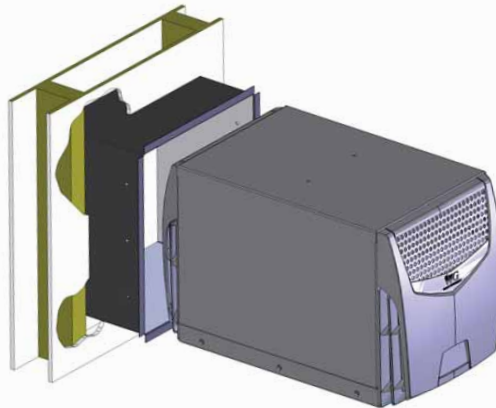
Additional standard features include:

- Integrated condensate evaporation system
- Drain overflow connection
- Specially coated, corrosion-resistant cooling coil
- Power cord connections on both sides of system
- Environmentally friendly R-134a refrigerant

FRONT VIEW



**SIDE VIEW
WITH EASY MOUNT™**



**BACK VIEW
SHOWN WITH OPTIONAL DUCT ADAPTER**



SYSTEM SPECIFICATIONS*

MODEL	CAPACITY	WIDTH	DEPTH	HEIGHT	ELECTRICAL	WEIGHT
TTW009**	850	14 1/4"	25"	15 7/8"	115v/1ph/60Hz	60 lbs
TTW018**	1500	14 1/4"	25"	15 7/8"	115v/1ph/60Hz	62 lbs

* Designed for 95°F max, 50° min condenser inlet. Sizing note: Many variables affect proper unit sizing, including type of construction, insulation values, amount of glass, residential vs. commercial applications, etc. Proper unit size should only be determined by using the Wine Guardian sizing calculations. Check with your Wine Guardian authorized distributor for more information.

** Direct replacement for most through-the-wall models. Ask your authorized Wine Guardian® distributor for details.

Wine Guardian® systems are made in the USA.

Manufacturer reserves right, without notice, to make changes to specifications at its sole discretion.

Wine Guardian® Through-the-Wall Cooling System patents pending. EasyMount™ is a trademark of Air Innovations.

Rev. 02/10